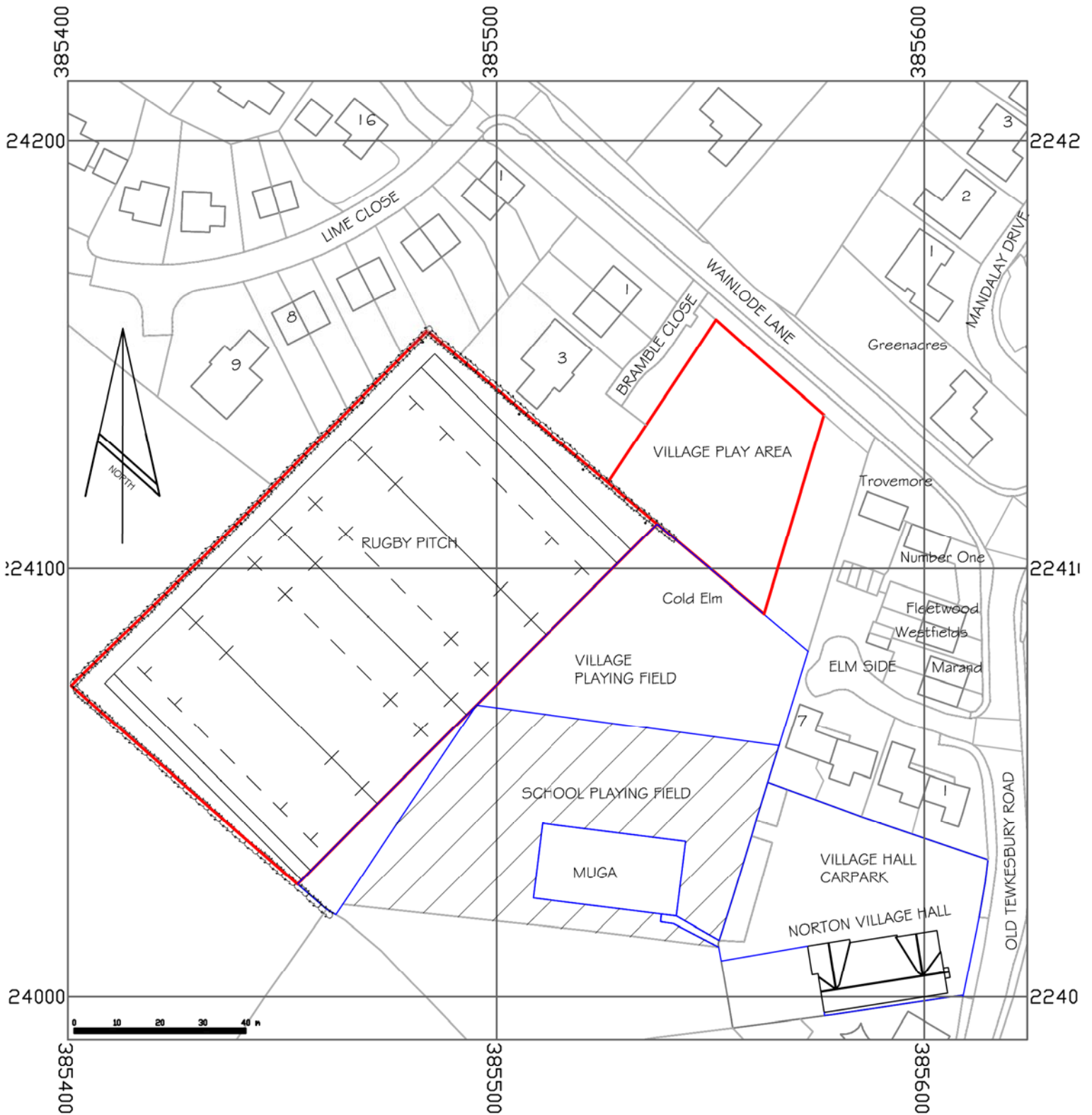


CDM RESIDUAL RISKS

Generally Residual Risks in the design, the work to be undertaken and the materials specified are those that are commonplace in construction and would be easily recognised & dealt with by competent contractors.



© Crown Copyright 2016. Streetwise Licence No. 100047474.

P3 Play Area indicated & re-issued for PLANNING Mar 2021
 P2 Issued for PLANNING Feb 2021
 P1 Issued for COMMENT Feb 2021

Project No. 2239	Rev. P3	Proposed Post & Netting to Rugby Pitch For:- Norton Parish Council	Scale 1/1250 @ A4
Project /Dwg. No. AL1/1		LOCATION PLAN PLANNING	Date Feb 21



CDM RESIDUAL RISKS
 Following completion of the design, the work to be constructed and the work to be completed are those that are commencing in construction and would be easily recognised & dealt with by competent contractors.



P3	Play Area, Pitched & reserved for PLANNING	21	Mar
P2	Issued for PLANNING	21	Feb
P1	Issued for COMMENT	21	Feb
Rev	Details		Date
▲ Mentions			

• The drawing is complete and not to be updated without the written consent of the architect.
 - All written dimensions should be checked on site - 10' not scale from this drawing.
 Proposed Post & Notice to Rugby Pitch
 For:- Norton Parish Council

SITE PLAN			
PLANNING			
Scale	1:500 @ A2	Proj. No.	2239
Date	Feb 21	Draw. No.	P3
Drawn	Concept	ADJ	1/2

Marand
spira
ARCHITECTS

OLD TEWKESBURY ROAD, NORTON, GLOUCEstersHIRE
 GL2 9LR. TEL: 01452 730 907

CDM RESIDUAL RISKS

Generally Residual Risks in the design, the work to be undertaken and the materials specified are those that are commonplace in construction and would be easily recognised & dealt with by competent contractors.

Rev	Details	Issued	Date
P6	Re-issued for PLANNING	gpb	Mar 21
P5	Issued for PLANNING	gpb	Feb 21
P4	Issued for APPROVAL & re-issued for COMMENT	gpb	Feb 21
P3	Amended & re-issued for COMMENT	gpb	Feb 21
P2	End posts accepted & re-issued for INFORMATION	gpb	Jan 21
P1	Issued for INFORMATION	gpb	Jun 20

This drawing is copyright and not to be reproduced without the written consent of the author.
 All rights reserved 2008 by gpb architects. To be used from this drawing.

Proposed Post & Netting to Rugby Pitch
 For Norton Parish Council

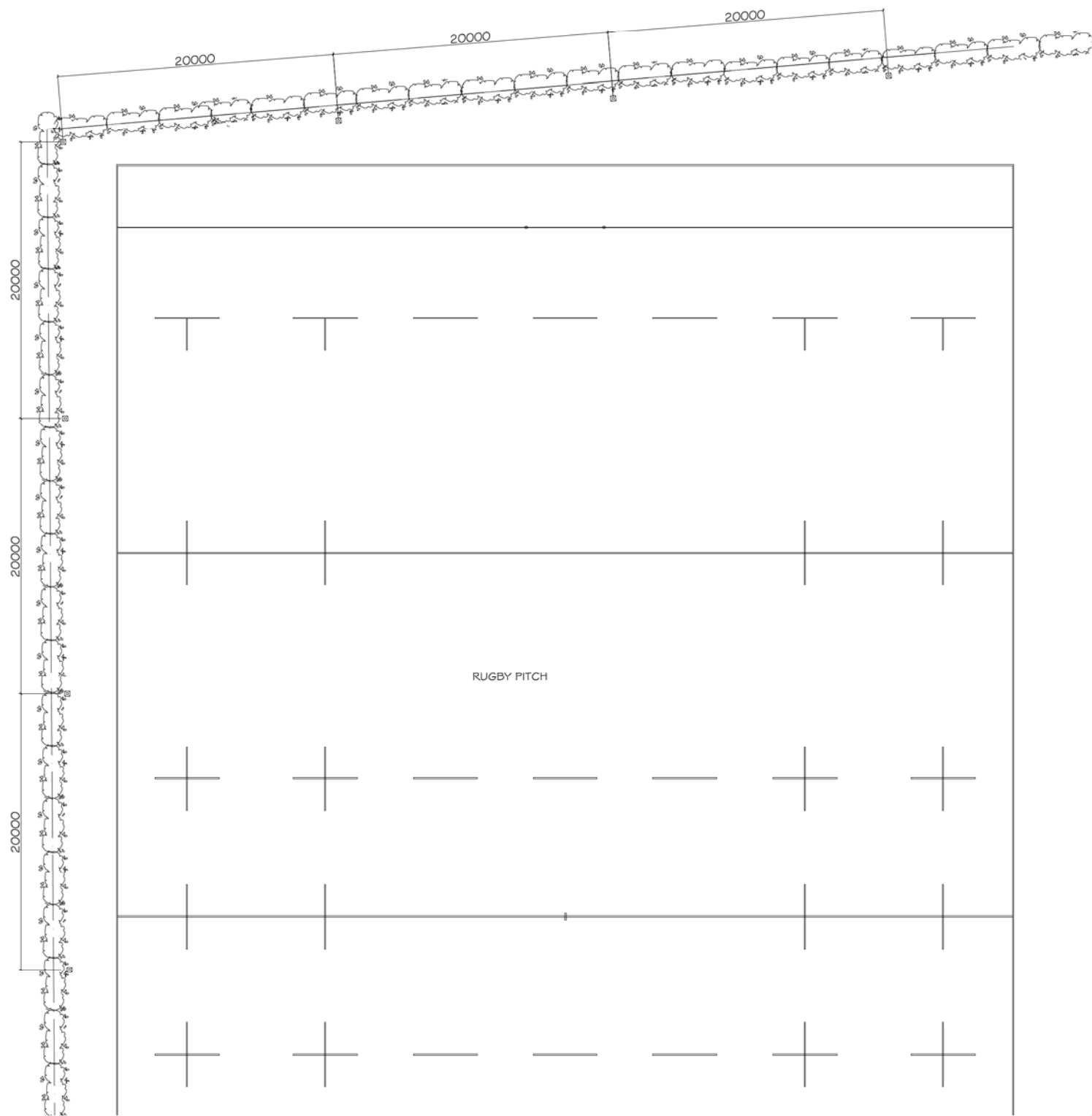
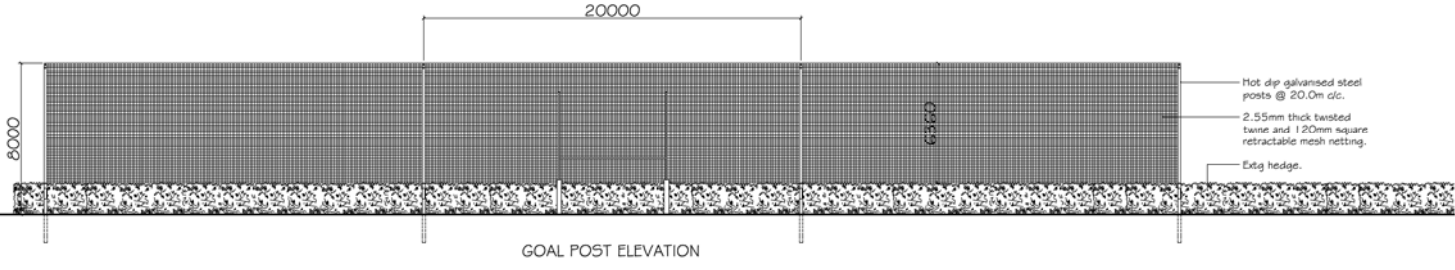
PROPOSED PLAN & ELEVATION

PLANNING

Scale	1:200 @ A2	Proj. No.	2239	Rev.	PG
Date	Jun 20	Dep. No.	AB / 11	Checked	gpb

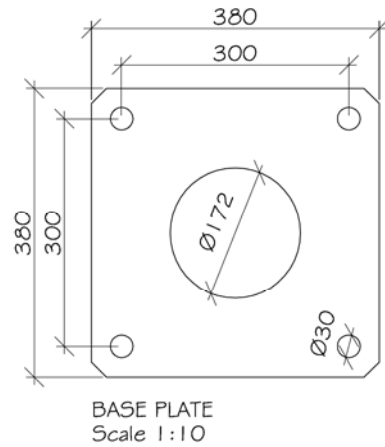
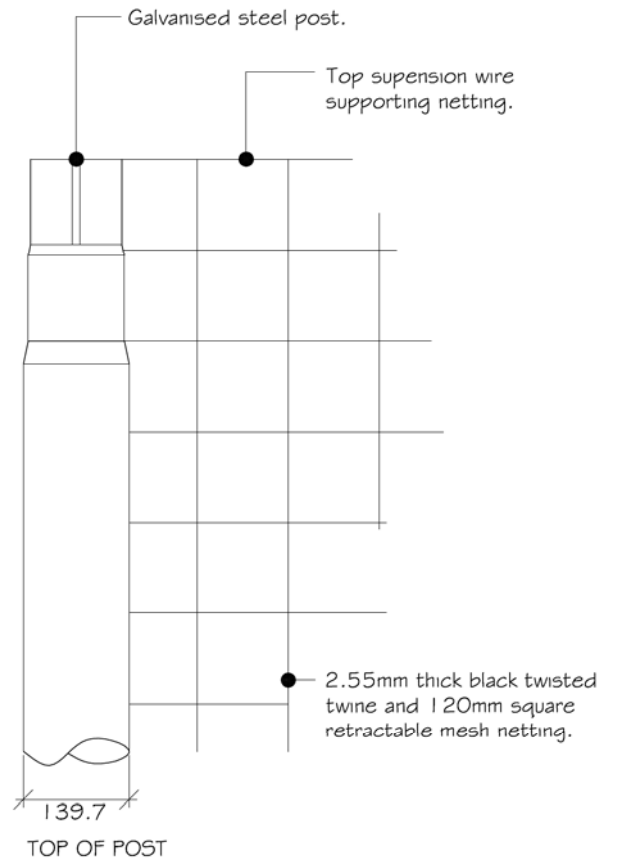
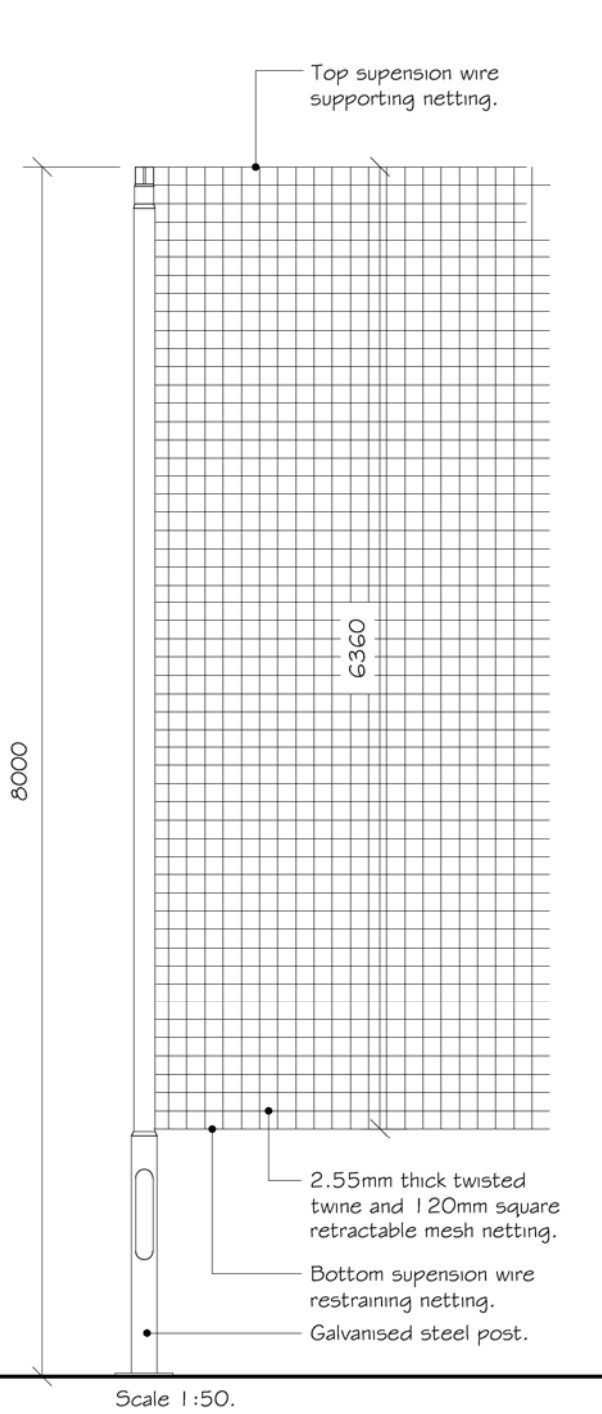
Marand
 ARCHITECTS

OLD TEMESWICK ROAD, BORTON, GLOUCESTERSHIRE
 GL5 2BC. TEL: 01452 750 267



CDM RESIDUAL RISKS

Generally Residual Risks in the design, the work to be undertaken and the materials specified are those that are commonplace in construction and would be easily recognised & dealt with by competent contractors.



P3 Issued for PLANNING Feb 2021
 P2 Netting amended & re-issued for COMMENT Feb 2021
 P1 Issued for COMMENT Feb 2021

Project No. 2239	Rev. P3	Proposed Post & Netting to Rugby Pitch For:- Norton Parish Council	Scale 1/50, 1/10 @ A4
Project /Dwg. No. AD1/1		POST DETAIL PLANNING	Date Feb 21



